



Overt and covert systems to locate, monitor and protect people and property worldwide

**GT4001**

**COVERT**

**MAGNETIC TRACKER**

### What is the GT4001 Covert Magnetic Tracker?

The GT4001 is a compact covert tracking device that has powerful magnets that allow it to be attached to any steel surface, such as the bodywork or bumper of a car, in seconds. Using its dual-band GSM/GPRS operation, it can be deployed in multiple GSM networks worldwide.

The GT4001 Covert Tracker is an indispensable aid in the fight against crime and terrorism for police, intelligence agencies and Special Forces worldwide.

### What does it allow you to do?

- install a tracking device to any vehicle covertly and in seconds
- keep continuous real-time track of vehicles under surveillance
- receive alerts when the vehicle leaves pre-defined areas or exceeds pre-set speeds
- receive alerts triggered by timers or vehicle when continuous surveillance is not required
- operate surveillance in harsh and difficult environments
- track a vehicle via GPRS when available, or via SMS when not

### Why buy a Covert Tracking System for your surveillance solution?

- ease of deployment: powerful in-built magnets allow it to be deployed on any steel surface within seconds
- area of operation: dual-band GSM operation allows it to be used across many GSM networks
- flexibility: the device facilitates continuous surveillance and "event-driven" surveillance
- is weatherproof, with in-built GSM and GPS antennas
- allows for in-built 4 area geo-fencing
- has a powerful 900 position memory that can store information about position, time, heading, speed etc.
- compact size: 96x50x42 mm including in-built antenna
- integral magnetic plate
- support and advice for your surveillance needs from a company that is an expert in surveillance



GT4001 Covert Magnetic Tracker

#### Package includes:

- compact, covert, rapid deployment tracking device with tri-band GSM operation
- configuration software
- programming lead
- manual
- 12 month warranty
- downloadable software

#### Key Features:

- real-time GPS tracking worldwide
- GSM Dual-band with GPRS
- also supports SMS reporting
- built-in magnetic plate
- waterproof enclosure
- built-in antennas
- flexible reporting: time, distance or combination
- movement and battery status reporting
- 4 circular geofence areas
- 900 position log memory
- multiple power modes, for superior battery life

#### Requirements for end-to-end solution:

- SIM card from local GSM Service Provider
- Geonix Tracking Software

**COVERT**

**Covert tracking, surveillance and counter surveillance equipment and systems**

Geonix Tracking Limited, The Coach House, Barrow Castle, Rush Hill, Bath, BA2 2QR, UK. t: +44 (1225) 470013

Geonix Limited, Wisdom Tower, Ayios Pavlos Street, 1105, Nicosia, Cyprus. t: +357 (22) 103 562

Geonix Dutrax LLC, World Trade Centre, Sheikh Zayed Road, Dubai, UAE. t: + 971 (50) 6571461





Overt and covert systems to locate, monitor and protect people and property worldwide

GT4001

COVERT

MAGNETIC TRACKER

**Physical. Electrical and Environmental Parameters**

dimensions	96(L)*50(W)*42(H)
weight	400g
DC Supply voltage	3.6V
current (GPRS online)	80mA
current (GPRS transmission)	120mA
current (Peak)	300mA
current (Sleep)	6~12mA when GPS is in sleep mode
operating Temperature	-20°C to +55°C
storage Temperature	-40°C to +85°C

**Backup Battery**

battery type	lithium 3.6
charge type	built-in charge circuit, recharge volts 4.5V – 20V
battery capacity	3800 mA/H

**GPRS**

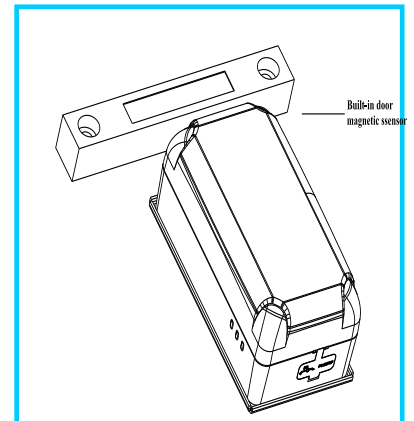
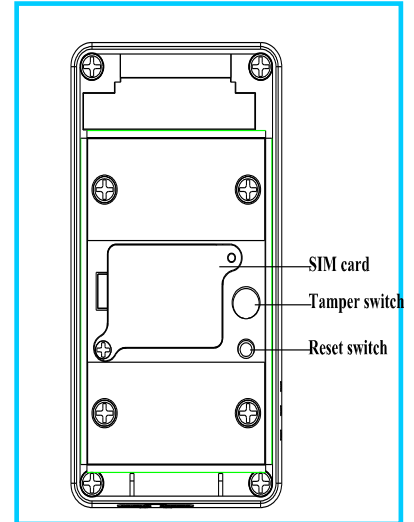
frequency Range (MHz)	900 & 1800
channel spacing (Hz)	200
GPRS connectivity	GPRS multi-slot class 8, GPRS mobile station class B
SIM card interface	3V/5V
SMS storage Capacity	40 in memory
antenna Type	integral & enclosed in GT8019 unit
antenna Impedance	50ohms

**GPS**

chipset	SiRF Star III technology
protocol	NMEA0183
baud Rate	4800
signal	L1 1575.42MHz
number of Channels	12 channel simultaneous operation
accuracy Horizontal	<5 meters (50%)
velocity	0.1 m/sec.
hot Start:	<8. (90%)
warm Start:	<38 sec. (90%)
cold Start:	<42 sec. (90%)
antenna Type	embedded omni-directional antenna

**IO Connection**

tamper switch	on/off
1*PC connector	for initial PC configuration
1*recharge socket	recharge from mains or car charger



COVERT

**Covert tracking, surveillance and counter surveillance equipment and systems**

Geonix Tracking Limited, The Coach House, Barrow Castle, Rush Hill, Bath, BA2 2QR, UK. t: +44 (1225) 470013

Geonix Limited, Wisdom Tower, Ayios Pavlos Street, 1105, Nicosia, Cyprus. t: +357 (22) 103 562

Geonix Dutrax LLC, World Trade Centre, Sheikh Zayed Road, Dubai, UAE. t: + 971 (50) 6571461

